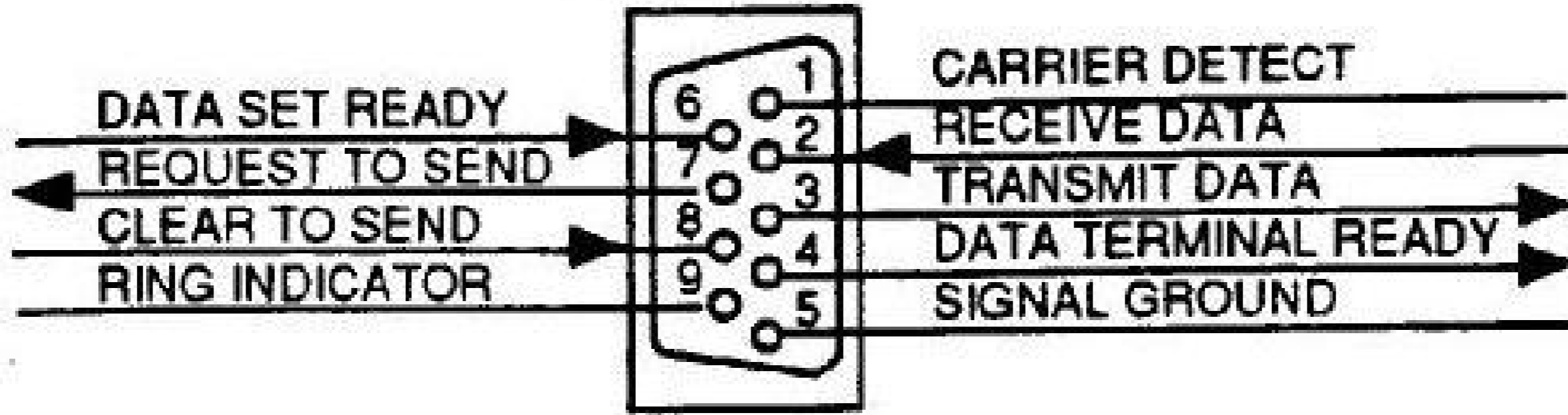
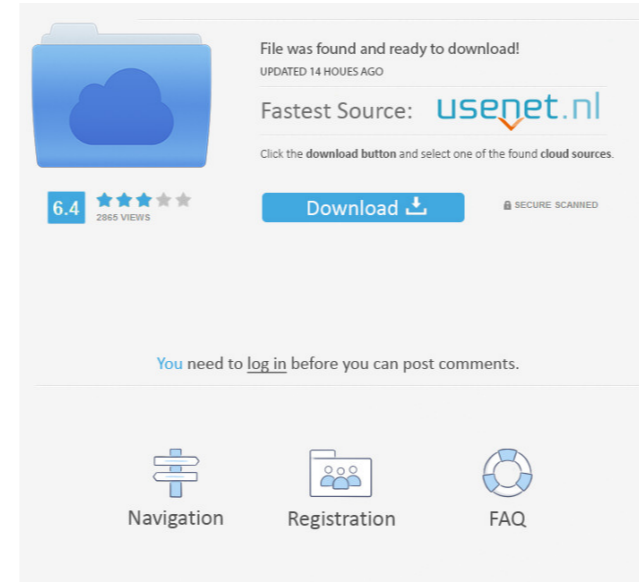


DYNAPATH 9 PIN COM1 PORT



DOWNLOAD: <https://bytly.com/29udbl>



7c2bc87b77

[Como Tirar Escalada Do Azamerica S922](#)
[Tamil Movie 720p Download Aap Mujhe Achche Lagne Lage](#)
[windows 8 activator all edition pro and enterprise build 9200 final 1](#)
[The Black Dakotas full movie in hindi free download](#)
[\[PATCHED\] Cheeky Trasgredire 2000 Bluray 720p](#)

[Einnacle Studio 16 Ultimate V.16.0.0.75 All Contents](#)
[necoz renders software](#)
[Mac Os X El Capitan Ding Direct Download](#)
[Infected Download Torrent](#)
[activador tpvplus 2012.rar](#)